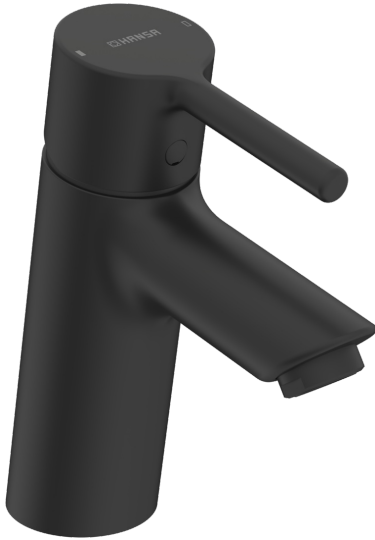
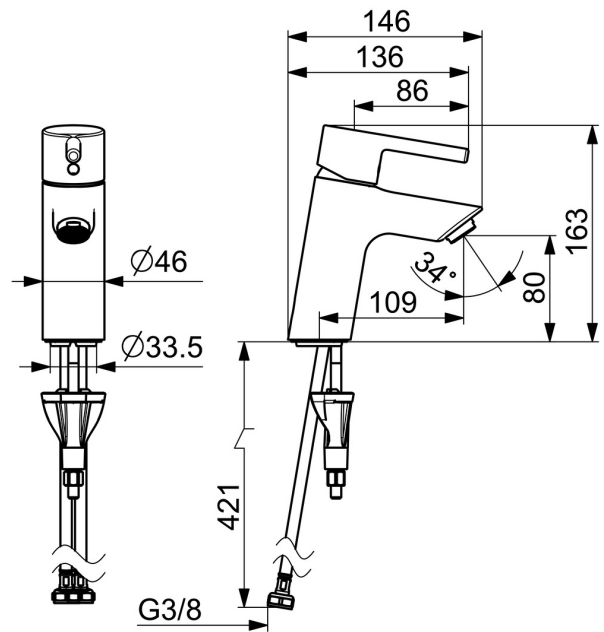
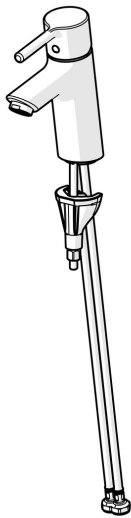


EAN: 4057304020247  
[static.hansa.com/5242226733](https://static.hansa.com/5242226733)



- Washbasin
- Single-lever
- Deck mounted
- Matt black
- Fixed spout
- PCA® - constant flow rate regardless of pressure variations
- Single operating lever/handle, Hot/Cold symbols
- Limitation option for maximum temperature and flow-rate
- ø 30 mm ceramic cartridge for flow and temperature control
- Flexible inlet pipes
- Inner body made of DZR brass, 3S-installation system for safe and simple mounting
- Without pop-up waste



## Technical data

### Flow properties

Flow-rate at 3 bar (with flow controller) **6.0 l/min**

### Technical properties

Hot water supply **max. +70°C**  
 Working pressure **0.5-10 bar**  
 Connection size **G3/8**  
 Projection **109 mm**  
 Backflow prevention (EN1717) **AA**  
 Material **Brass**

### Regulations

EN standard **EN 817**  
 Noise class **I (ISO 3822)**

### Approvals and Declarations

EPD **S-P-06391**

### Sustainability

EPD module A1 (kg CO2 eq.) **6,33**  
 EPD module A2 (kg CO2 eq.) **0,30**  
 EPD module A3 (kg CO2 eq.) **0,60**  
 EPD module A1-A3 (kg CO2 eq.) **7,24**  
 EPD module A4 (kg CO2 eq.) **0,20**  
 EPD module B7 (kg CO2 eq.) **1854,00**  
 EPD module C2 (kg CO2 eq.) **0,01**  
 EPD module C3 (kg CO2 eq.) **0,01**  
 EPD module C4 (kg CO2 eq.) **0,05**  
 EPD module D (kg CO2 eq.) **-5,15**

