

# 1002.0700

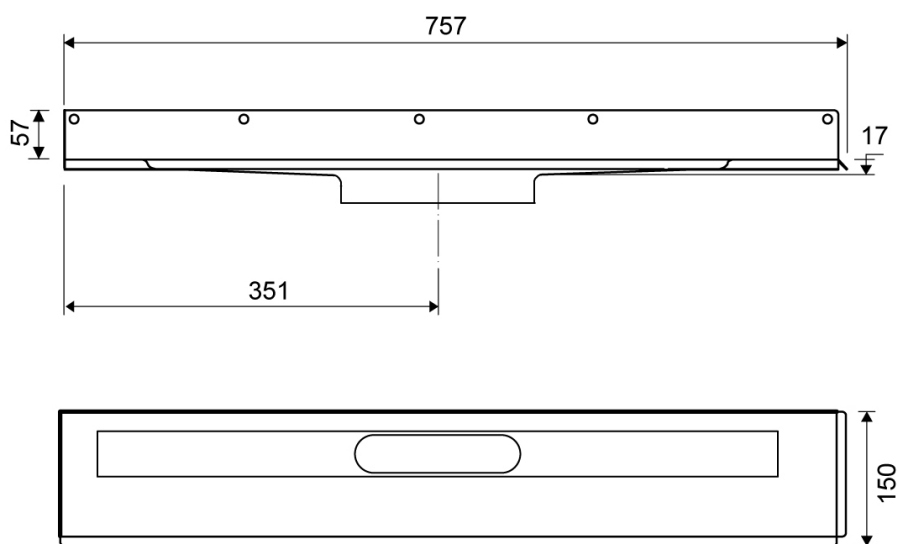
Line 1002

For shower cubicle with open right side, glass screen or similar



## Specifications

<b>ITEM NUMBER</b>	<b>GTIN NUMBER</b>	<b>WEIGHT INCLUDING PACKAGING</b>
1002.0700	5707692003085	2340 g
<b>WEIGHT EXCLUDING PACKAGING</b>	<b>MATERIAL</b>	<b>USAGE</b>
2040 g	1,5 mm stainless steel (AISI 304)	Line drain
<b>SURFACE</b>	<b>MEMBRANE</b>	<b>FLOOR CONSTRUCTION</b>
Pickled	Liquid or sheet membrane	All
<b>FLOORING</b>	<b>MOUNTING</b>	<b>CENTER</b>
Tiles	6 mm plugs 6 mm screws. Torx 20	351 mm
<b>INSTALLATION LENGTH (L)</b>	<b>HEIGHT (H)</b>	<b>LENGTH MODEL</b>
757 mm	17 mm	700 mm



**1002.0700**

Products

## 1002.0800

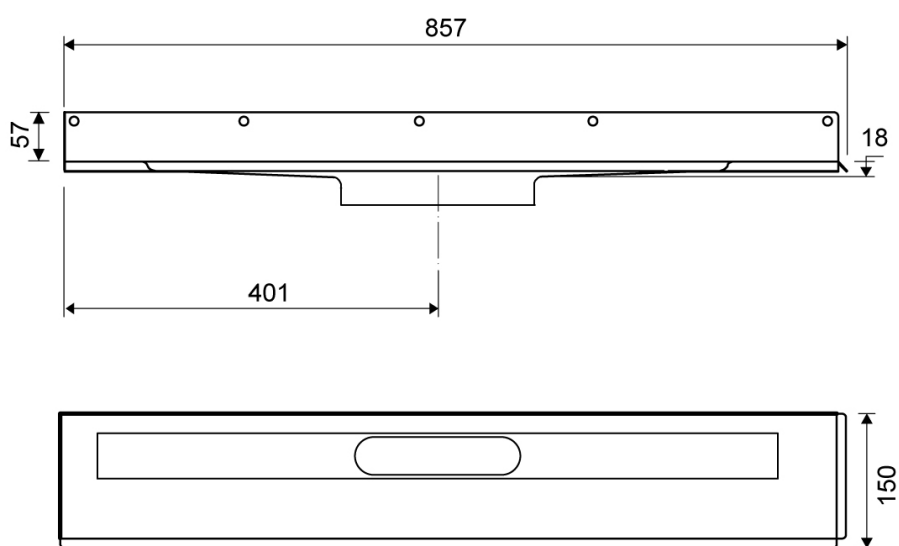
Line 1002

For shower cubicle with open right side, glass screen or similar



### Specifications

ITEM NUMBER	GTIN NUMBER	WEIGHT INCLUDING PACKAGING
1002.0800	5707692003092	2710 g
WEIGHT EXCLUDING PACKAGING	MATERIAL	USAGE
2340 g	1,5 mm stainless steel (AISI 304)	Line drain
SURFACE	MEMBRANE	FLOOR CONSTRUCTION
Pickled	Liquid or sheet membrane	All
FLOORING	MOUNTING	CENTER
Tiles	6 mm plugs 6 mm screws. Torx 20	401 mm
INSTALLATION LENGTH (L)	HEIGHT (H)	LENGTH MODEL
857 mm	18 mm	800 mm



**1002.0800**

Products

## 1002.0900

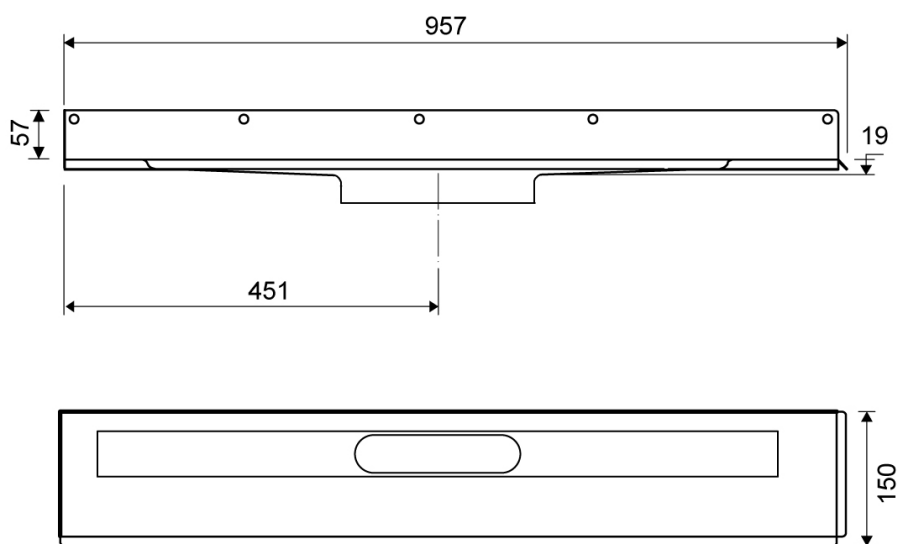
Line 1002

For shower cubicle with open right side, glass screen or similar



### Specifications

ITEM NUMBER	GTIN NUMBER	WEIGHT INCLUDING PACKAGING
1002.0900	5707692003108	2940 g
WEIGHT EXCLUDING PACKAGING	MATERIAL	USAGE
2540 g	1,5 mm stainless steel (AISI 304)	Line drain
SURFACE	MEMBRANE	FLOOR CONSTRUCTION
Pickled	Liquid or sheet membrane	All
FLOORING	MOUNTING	CENTER
Tiles	6 mm plugs 6 mm screws. Torx 20	451 mm
INSTALLATION LENGTH (L)	HEIGHT (H)	LENGTH MODEL
957 mm	19 mm	900 mm



**1002.0900**

Products

# 1002.1000

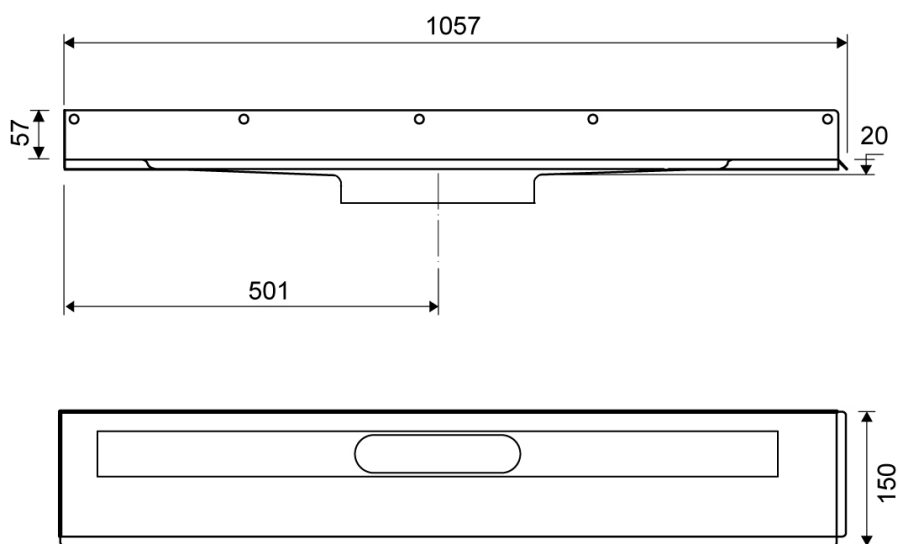
Line 1002

For shower cubicle with open right side, glass screen or similar



## Specifications

ITEM NUMBER	GTIN NUMBER	WEIGHT INCLUDING PACKAGING
1002.1000	5707692003115	3200 g
WEIGHT EXCLUDING PACKAGING	MATERIAL	USAGE
2820 g	1,5 mm stainless steel (AISI 304)	Line drain
SURFACE	MEMBRANE	FLOOR CONSTRUCTION
Pickled	Liquid or sheet membrane	All
FLOORING	MOUNTING	CENTER
Tiles	6 mm plugs 6 mm screws. Torx 20	501 mm
INSTALLATION LENGTH (L)	HEIGHT (H)	LENGTH MODEL
1057 mm	20 mm	1000 mm



**1002.1000**

Products



# 1002.1200

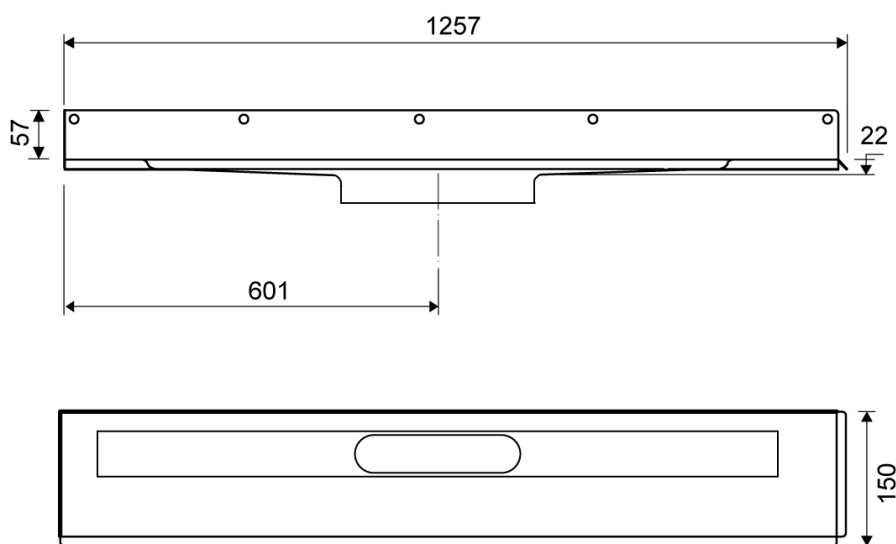
Line 1002

For shower cubicle with open right side, glass screen or similar



## Specifications

<b>ITEM NUMBER</b>	<b>GTIN NUMBER</b>	<b>WEIGHT INCLUDING PACKAGING</b>
1002.1200	5707692003122	3900 g
<b>WEIGHT EXCLUDING PACKAGING</b>	<b>MATERIAL</b>	<b>USAGE</b>
3300 g	1,5 mm stainless steel (AISI 304)	Line drain
<b>SURFACE</b>	<b>MEMBRANE</b>	<b>FLOOR CONSTRUCTION</b>
Pickled	Liquid or sheet membrane	All
<b>FLOORING</b>	<b>MOUNTING</b>	<b>CENTER</b>
Tiles	6 mm plugs 6 mm screws. Torx 20	601 mm
<b>INSTALLATION LENGTH (L)</b>	<b>HEIGHT (H)</b>	<b>LENGTH MODEL</b>
1257 mm	22 mm	1200 mm



**1002.1200**

Products