

1001.0700

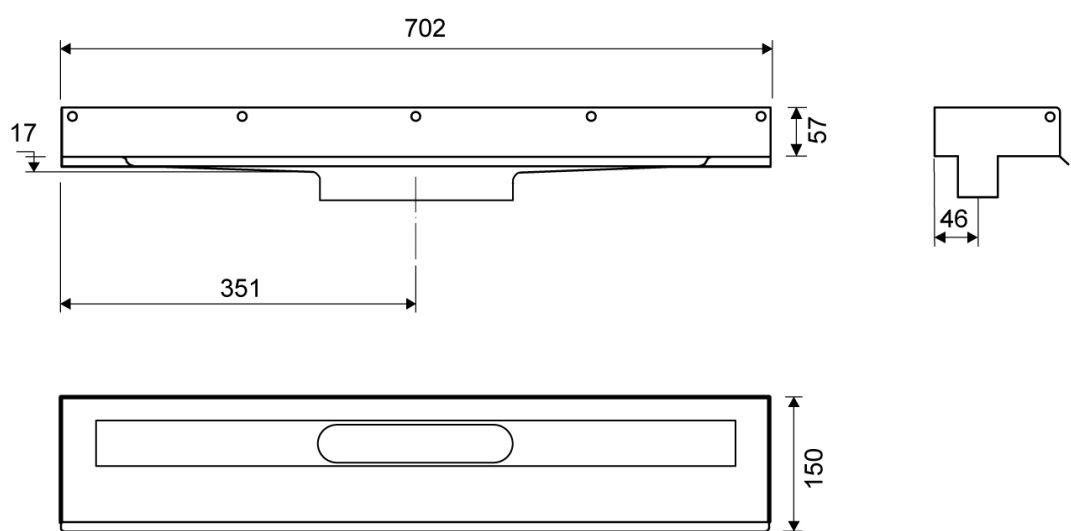
Line 1001

For shower cubicle with three permanent walls



Specifications

ITEM NUMBER	GTIN NUMBER	WEIGHT INCLUDING PACKAGING
1001.0700	5707692003030	2230 g
WEIGHT EXCLUDING PACKAGING	MATERIAL	USAGE
2020 g	1,5 mm stainless steel (AISI 304)	Line drain
SURFACE	MEMBRANE	FLOOR CONSTRUCTION
Pickled	Liquid or sheet membrane	All
FLOORING	MOUNTING	CENTER
Tiles	6 mm plugs 6 mm screws. Torx 20	351 mm
INSTALLATION LENGTH (L)	HEIGHT (H)	LENGTH MODEL
702 mm	17 mm	700 mm



1001.0700

Products

1001.0800

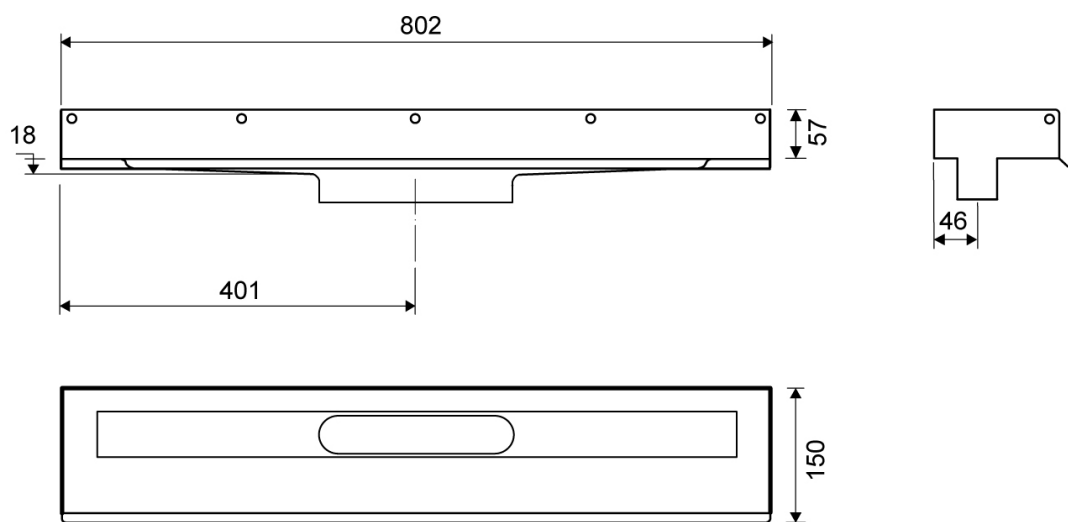
Line 1001

For shower cubicle with three permanent walls



Specifications

ITEM NUMBER	GTIN NUMBER	WEIGHT INCLUDING PACKAGING
1001.0800	5707692003047	2600 g
WEIGHT EXCLUDING PACKAGING	MATERIAL	USAGE
2300 g	1,5 mm stainless steel (AISI 304)	Line drain
SURFACE	MEMBRANE	FLOOR CONSTRUCTION
Pickled	Liquid or sheet membrane	All
FLOORING	MOUNTING	CENTER
Tiles	6 mm plugs 6 mm screws. Torx 20	401 mm
INSTALLATION LENGTH (L)	HEIGHT (H)	LENGTH MODEL
802 mm	18 mm	800 mm



1001.0800

Products

1001.0900

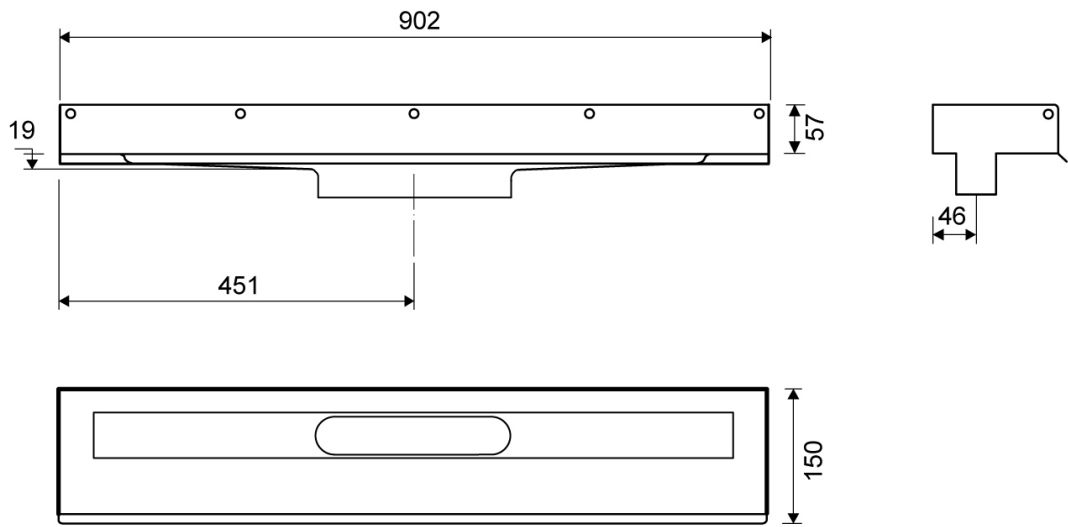
Line 1001

For shower cubicle with three permanent walls



Specifications

ITEM NUMBER	GTIN NUMBER	WEIGHT INCLUDING PACKAGING
1001.0900	5707692003054	2880 g
WEIGHT EXCLUDING PACKAGING	MATERIAL	USAGE
2540 g	1,5 mm stainless steel (AISI 304)	Line drain
SURFACE	MEMBRANE	FLOOR CONSTRUCTION
Pickled	Liquid or sheet membrane	All
FLOORING	MOUNTING	CENTER
Tiles	6 mm plugs 6 mm screws. Torx 20	451 mm
INSTALLATION LENGTH (L)	HEIGHT (H)	LENGTH MODEL
902 mm	19 mm	900 mm



1001.0900

Products

1001.1000

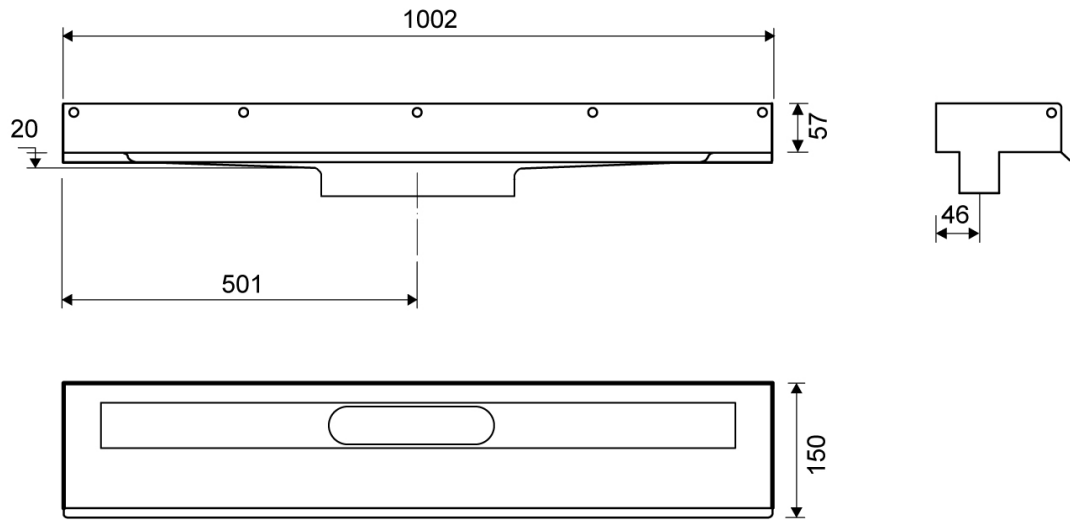
Line 1001

For shower cubicle with three permanent walls



Specifications

ITEM NUMBER	GTIN NUMBER	WEIGHT INCLUDING PACKAGING
1001.1000	5707692003061	3400 g
WEIGHT EXCLUDING PACKAGING	MATERIAL	USAGE
2860 g	1,5 mm stainless steel (AISI 304)	Line drain
SURFACE	MEMBRANE	FLOOR CONSTRUCTION
Pickled	Liquid or sheet membrane	All
FLOORING	MOUNTING	CENTER
Tiles	6 mm plugs 6 mm screws. Torx 20	501 mm
INSTALLATION LENGTH (L)	HEIGHT (H)	LENGTH MODEL
1002 mm	20 mm	1000 mm



1001.1000

Products

1001.1200

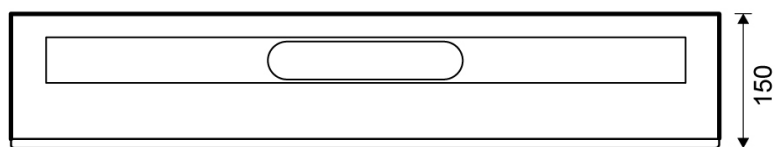
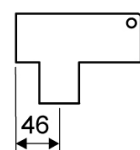
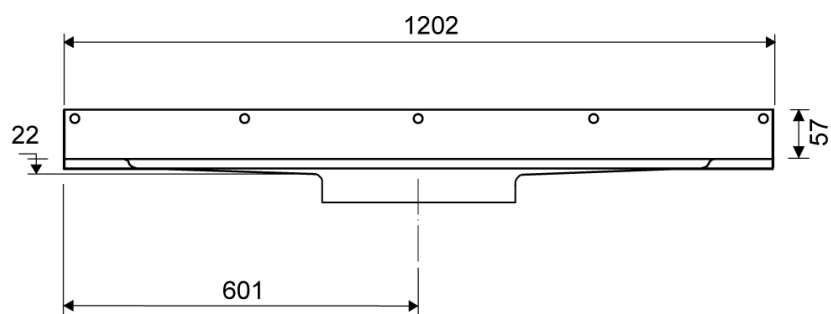
Line 1001

For shower cubicle with three permanent walls



Specifications

ITEM NUMBER	GTIN NUMBER	WEIGHT INCLUDING PACKAGING
1001.1200	5707692003078	3800 g
WEIGHT EXCLUDING PACKAGING	MATERIAL	USAGE
3300 g	1,5 mm stainless steel (AISI 304)	Line drain
SURFACE	MEMBRANE	FLOOR CONSTRUCTION
Pickled	Liquid or sheet membrane	All
FLOORING	MOUNTING	CENTER
Tiles	6 mm plugs 6 mm screws. Torx 20	601 mm
INSTALLATION LENGTH (L)	HEIGHT (H)	LENGTH MODEL
1202 mm	22 mm	1200 mm



1001.1200

Products