

EAN: 4057304007842
static.hansa.com/5865017282



- Shower solutions
- Thermostatic, Bluetooth®, Battery-operated
- Wall mounted
- Chrome/White
- Temperature control handle, Flow control handle
- Turn operated diverter, Integrated into flow control handle
- Hand shower, Shower holder, Shower hose (1750 mm), Overhead shower, Rotatable ball joint connection
- Pulsating - Strong water stream for massage or body treatment, Intense - invigorating water stream, Sensitive - Gentle water stream
- Safety stop against scalding at 38°C, The housing of the fittings conducts minimal heat
- Thermostatic cartridge for automatic temperature control, Non-return valve(s)
- Solenoid valve, External control unit, Light indicated function(s), Low battery indicator
- Ball eccentric coupling(s)
- Safety glass, Software settings adjustable via App
- protected against back-flow in domestic use (according to DIN EN 1717)
- 3 spray functions

Technical data

Flow properties

Flow-rate at 3 bar	12.0 l/min
Pressure loss with flow (0.2 l/s)	2.1 bar

Technical properties

DN-size (nominal dimension)	DN15
Hot water supply	max. +70°C
Working pressure	1-10 bar
Connection size	G1/2
Installation width	CC150± 15 mm
Projection	401 mm
Backflow prevention (EN1717)	EB
Material	Brass

Electronic properties

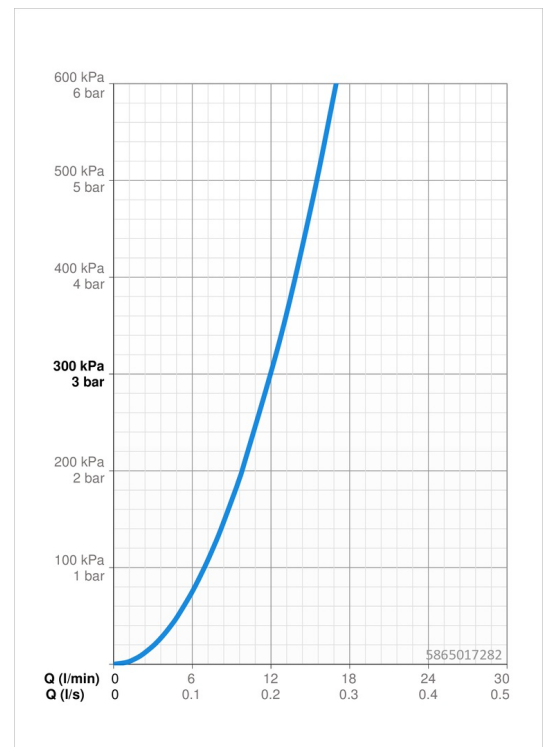
Battery	AA 1.5 V Lithium x 4
Bluetooth version	4.x

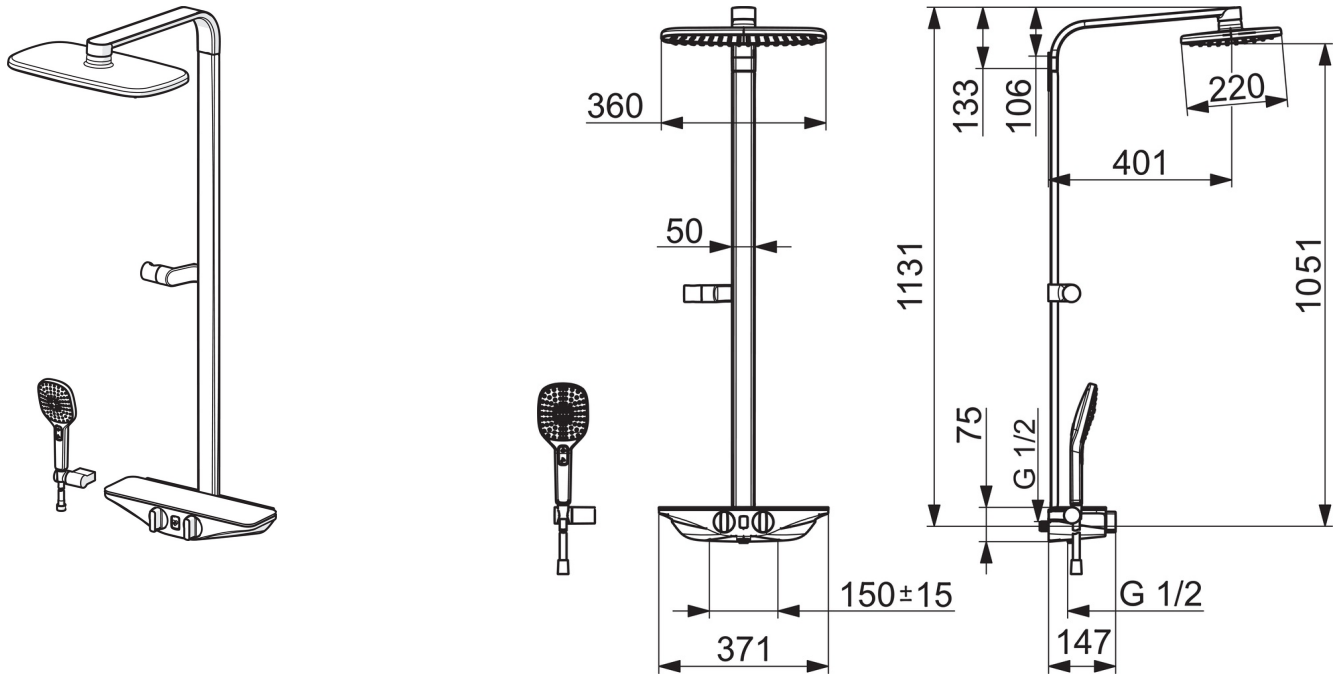
Regulations

EU Directives	C € 2014/53/EU, 2011/65/EU
EN standard	EN 1111, EN 1112, EN 1113, EN 15091
Noise class	I (ISO 3822) Oras lab.
Protection class	IP 55

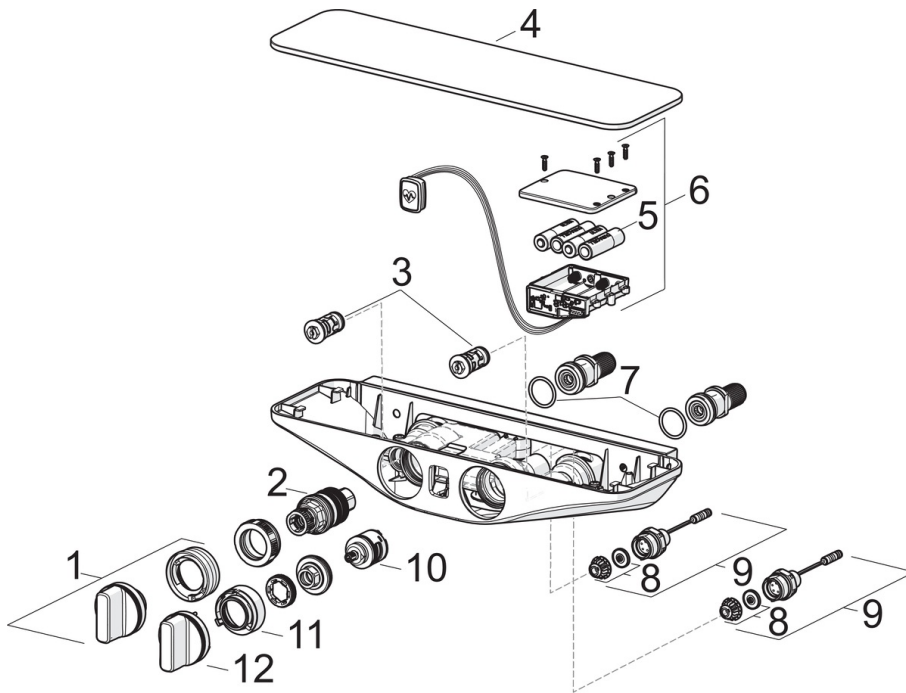
Approvals and Declarations

UN38.3	UN38-3 Energizer L91
--------	-----------------------------





Spare parts



SP5865017282

Name	Code
01 Temperature control handle	59914596
02 Thermostatic cartridge, 3.4	59914114
03 One-way valve with litter screen	59913696
03 One-way valve with litter screen, (9/2018-)	59914727
04 Cover plate White	59914606
05 Battery, 1.5 V AA Lithium	59914136
06 Control unit, 6 V /Wellfit/Bluetooth	59914630
07 O-ring, 25.07x2.62	59911479
08 Membrane for solenoid valve	1006500V
08 Membrane support ring Discontinued	59914090
09 Solenoid valve	59914091
10 Diverter and cartridge	59914183
11 Flow limiter	59914631
12 Flow control handle	59914599