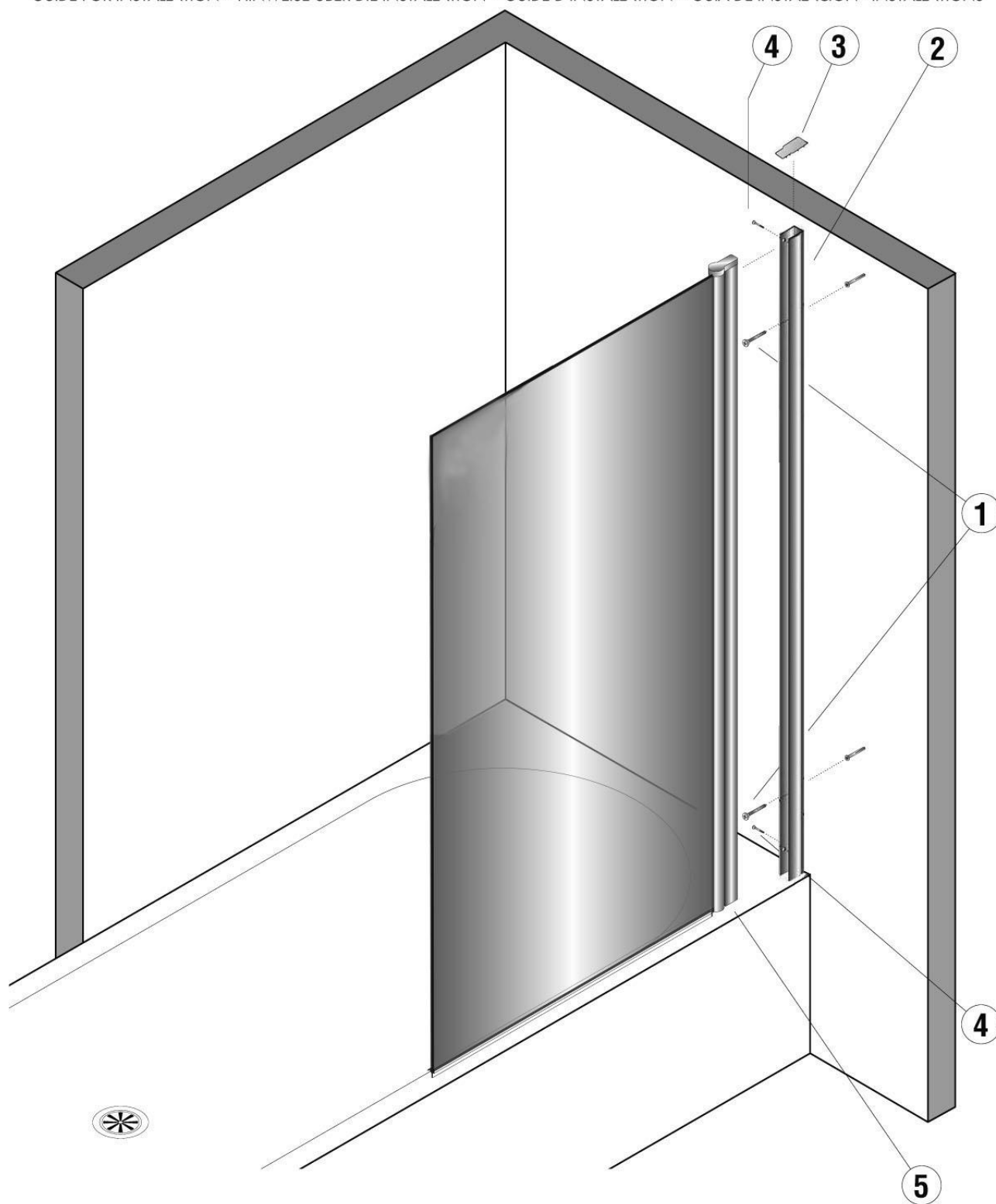
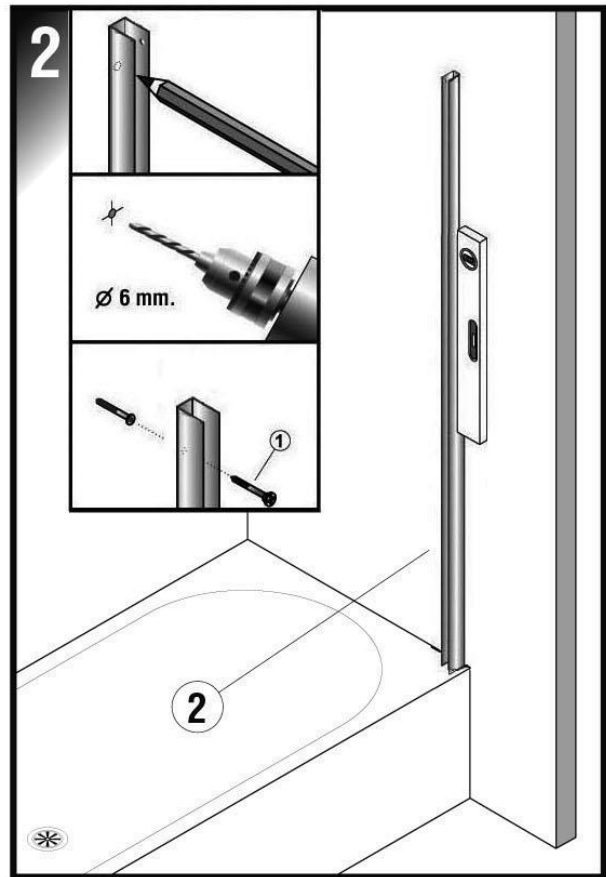
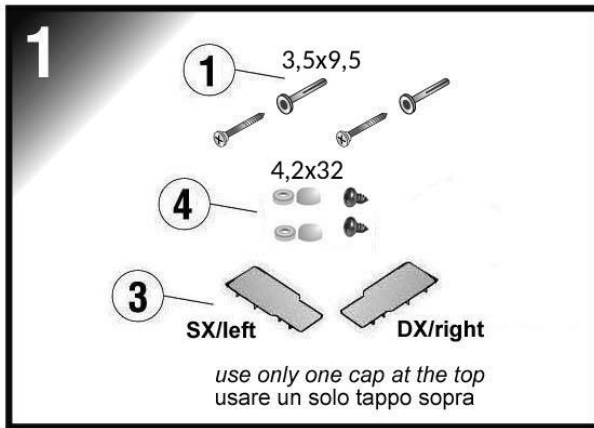


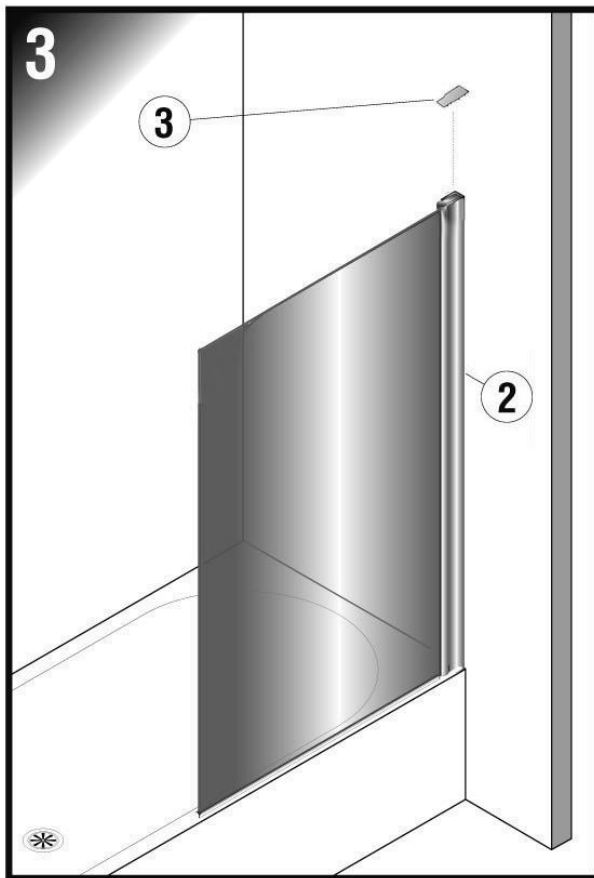
GUIDA ALL'INSTALLAZIONE FLIPPER

GUIDE FOR INSTALLATION • HINWEISE UBER DIE INSTALLATION • GUIDE D'INSTALLATION • GUIA DE INSTALACION • INSTALLATIONS

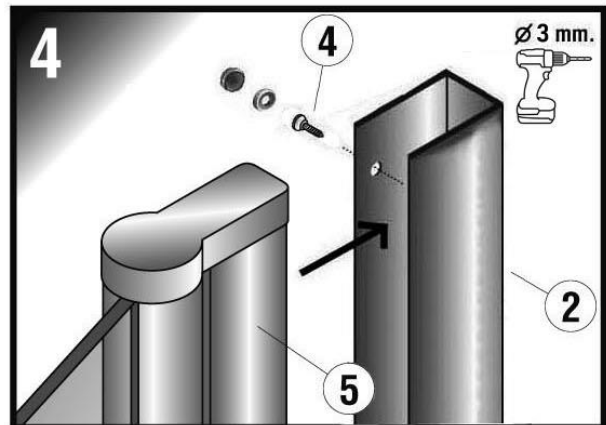




Position part 2 against the wall and mark the position of the holes as shown.



Only use one cap (3) either right or left on top of profile 2.



Insert part 5 into part 2 and after levelling the position of the showerwall. Practice two Ø 3mm holes (at the top and bottom) to fix part 5 with part 2.