

33 800 875



- 201mm projection
- pivotable spout 360°
- air-enriched flow
- height of mixer 373 mm
- height up to aerator 240 mm
- hole diameter 35 mm
- max. flow 8 l/min at 3 bar flow pressure
- lead-free
- This product can help a building meet the requirements of Green Building Rating Systems, e.g. LEED®, BREEAM®, DGNB

	Brushed Platinum	33 800 875-06
	Chrome	33 800 875-00
	Platinum	33 800 875-08
	Durabronze (23kt Gold)	33 800 875-09
	Dark Chrome	33 800 875-19
	Brushed Durabronze (23kt Gold)	33 800 875-28
	Matte Black	33 800 875-33
	Brushed Champagne (22kt Gold)	33 800 875-46
	Champagne (22kt Gold)	33 800 875-47
	Brushed Chrome	33 800 875-93
	Brushed Dark Platinum	33 800 875-99

Recommended miscellaneous

Strainer waste with control handle - Brushed Platinum 10 712 970-06

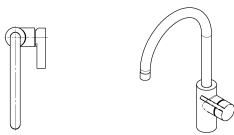
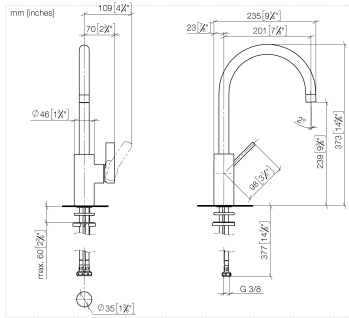


Recommended miscellaneous

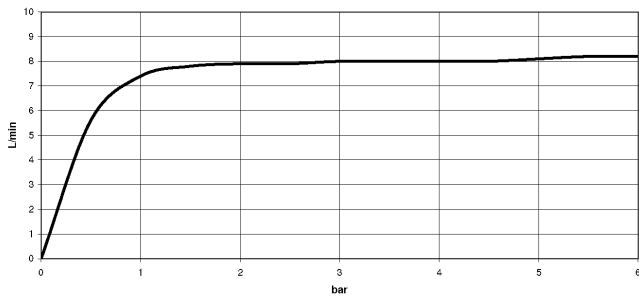
Dispenser without rosette - Brushed Platinum 82 424 970-06



33 800 875



Flow rate chart

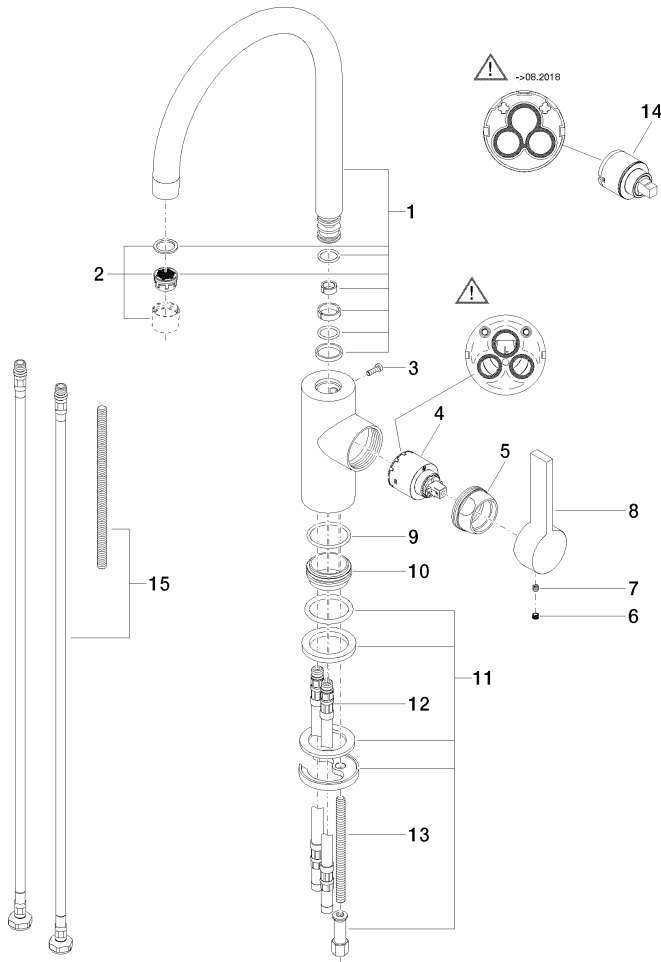


Certificates

GDV_0400195. LGA_18899. WRAS_2101012. ETA_18980.

33 800 875

Parts for other finishes can be found here: [Chrome](#)



Spare parts list

No.	Item Number	Name	Quantity used	Delivery time
1	90 28 22 204 02-06	spout	1	10
2	90 23 01 004 07-06	aerator	1	10
3	09 30 30 080 90	screw	1	2
4	90 15 05 061 00 90	cartridge	1	60
5	09 24 04 107-06	nut	1	10
6	90 31 20 109 00 90	plug	1	2
7	90 31 11 030 00 90	pin	1	2
8	09 20 79 040-06	handle	1	10
9	09 14 10 119 90	seal	1	2
10	09 28 10 109-07	ring	1	30
11	04 30 11 085 88 90	fixing set	1	2
12	04 30 04 016 00 90	hose	2	60
13	09 31 11 012 90	pin	1	2
14	90 15 05 045 00 90	cartridge	1	2
15	12 803 970 90	extension	1	60